

SPC-3055

Intel® Xeon®/Core™ i7/i5/i3 SoC (Skylake) 10GigE Embedded Box PC, 2-port 10GigE LAN, 2 GigE LAN, 4 USB 3.0, 5 COM, Compact, High Performance, EN50155, EN50121



Features

- Intel® Core™ i7/i5/i3 U-series SoC (Skylake-U)
- DDR4 2133MHz memory, up to 32GB
- Dual 10GigE LAN support up to 10Gbps data rate
- Onboard DVI-D and DisplayPort display interfaces support up to 4K resolution
- 9V to 36V DC Power Input
- SIM Socket supports WiFi/4G/3G/LTE/GPRS/UMTS
- 2 Independent GigE LAN, support iAMT 11.0
- 4 USB 3.0, 5 COM RS-232/422/485



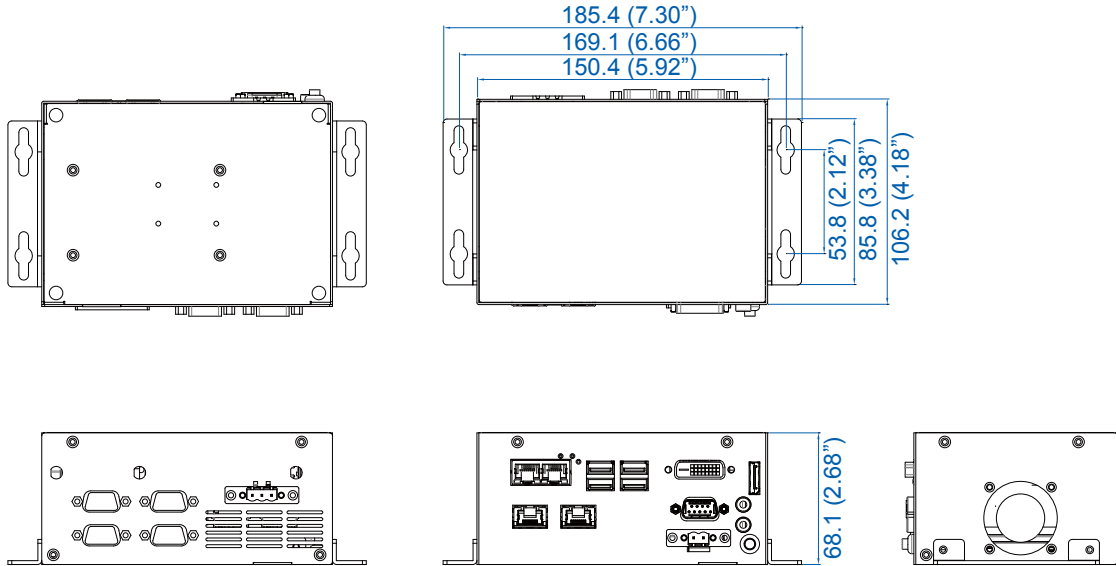
Specifications

System	
Processor	Intel® Core™ i7/i5/i3/Celeron® U-series Processor (Skylake-U)
Chipset	Intel® SoC (Skylake)
BIOS	AMI
SIO	IT8786E
Memory	1 DDR4 2133MHz SO-DIMM, up to 32GB
I/O Interface	
Serial	5 COM RS-232/422/485 (ESD 8KV)
USB	<ul style="list-style-type: none"> ▪ 4 USB 3.0 (External) ▪ Up to 4 USB 2.0 (Internal)
LED	Power, HDD
SIM Card	1 SIM Card Socket (Internal)
Expansion	
Mini PCIe	2 Mini PCIe Socket : <ul style="list-style-type: none"> ▪ 1 Full-size for PCIe/USB/Internal SIM Card ▪ 1 Full-size for PCIe/USB/mSATA
Graphics	
Graphics Processor	Intel® HD Graphics 520
Interface	<ul style="list-style-type: none"> ▪ DVI-D : Up to 1920 x 1080 @ 60Hz ▪ DisplayPort : Up to 3840 x 2160 @ 60Hz
Storage	
SATA	2 SATA III (6Gbps) support S/W RAID 0, 1
mSATA	1 SATA III (Mini PCIe Type, 6Gbps)
Storage Device	1 2.5" SSD/HDD Bracket (Internal)
Audio	
Audio Codec	Realtek ALC888S-VD, 7.1 Channel HD Audio
Audio Interface	1 Mic-in, 1 Line-out
Ethernet	
LAN 1	Intel® I219LM GigE LAN supports iAMT 11.0
LAN 2	Intel® I210 GigE LAN
10G Ethernet	
LAN 3	Intel® X550-AT2 10GigE LAN
LAN 4	Intel® X550-AT2 10GigE LAN

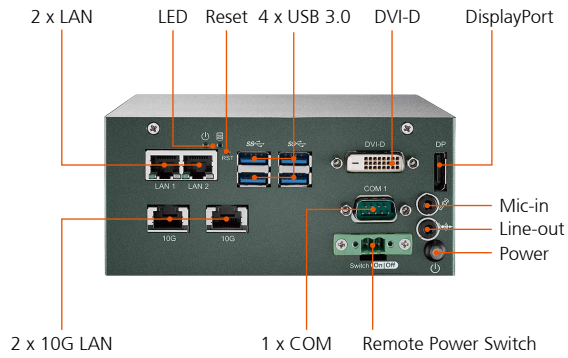
Power	
Power Input	9V to 36V, DC-in
Power Interface	3-pin Terminal Block : V+, V-, Frame Ground
Remote Switch	3-pin terminal block : On, Off, IGN
Others	
Watchdog Timer	Reset : 1 to 255 sec./min. per step
Smart Management	Wake on LAN, PXE supported
HW Monitor	Monitoring temperature, voltages. Auto throttling control when CPU overheats.
Software Support	
OS	Windows 10, Windows 8.1, Windows 7, Linux
Mechanical	
Dimensions (W x L x H)	150mm x 106mm x 68mm (5.9" x 4.2" x 2.7")
Weight	1.8 kg (3.97 lb)
Mounting	<ul style="list-style-type: none"> ▪ Wallmount by mounting bracket ▪ DIN Rail Mount ▪ 2U Rackmount (Optional)
Environment	
Operating Temperature	-40°C to 55°C (-40°F to 131°F)
Storage Temperature	-40°C to 85°C (-40°F to 185°F)
Humidity	5% to 95% Humidity, non-condensing
Relative Humidity	95% @ 55°C
Shock	<ul style="list-style-type: none"> ▪ IEC 60068-2-27 ▪ SSD : 50G @ wallmount, Half-sine, 11ms
Vibration	<ul style="list-style-type: none"> ▪ IEC 60068-2-64 ▪ SSD : 5Grms, 5Hz to 500Hz, 3 Axis
EMC	CE, FCC, EN50155, EN50121-3-2

Dimensions

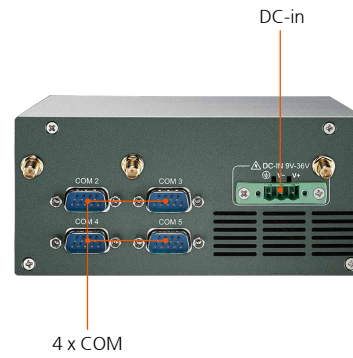
Unit : mm/ inch



Front I/O



Rear I/O



Order Information

SPC-3055	SPC-3000, onboard Intel® Core™ i7-6600U, 2 GigE LAN, 2 10G RJ45, 1 SSD, 4 USB 3.0, 5 COM, 1 SIM
-----------------	---

Accessories

DDR4 32G	Certified DDR4 32GB 2666MHz RAM
DDR4 16G	Certified DDR4 16GB 2133MHz RAM
DDR4 8G	Certified DDR4 8GB 2133MHz RAM
DDR4 4G	Certified DDR4 4GB 2133MHz RAM
PWA-60WP3	60W, 24V/2.5A 100V AC to 240V AC Power Adapter with 3-pin 3.5mm Terminal Block
PWA-60WP3-WT	60W, 24V/2.5A 100V AC to 240V AC Power Adapter with 3-pin 3.5mm Terminal Block, Wide Temperature -30°C to +70°C
PWA-120W	120W, 24V, 90V AC to 264V AC Power Adapter with 3-pin Terminal Block
PWA-160W-WT	160W, 24V, 85V AC to 264V AC Power Adapter with 3-pin Terminal Block, Wide Temperature -30°C to +70°C
VESA Mount	VESA Mounting Kit
DIN-RAIL	DIN Rail Kit
Rack Mount	2U Rackmount Kit
4G Module	Mini PCIe 4G/GPS Module with Antenna
WiFi & Bluetooth	WiFi & Bluetooth Module with Antenna